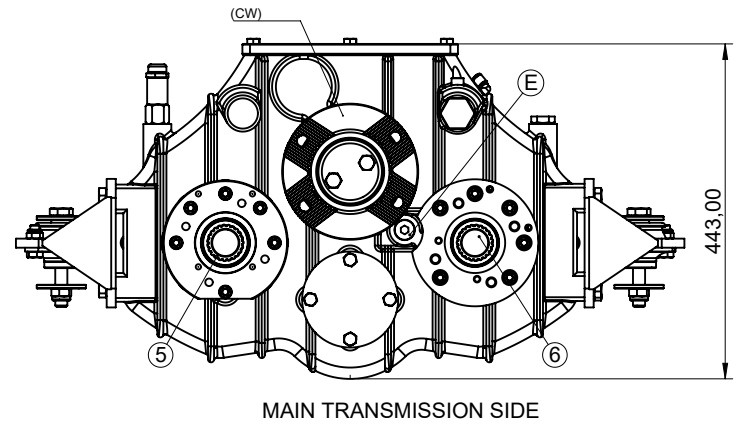
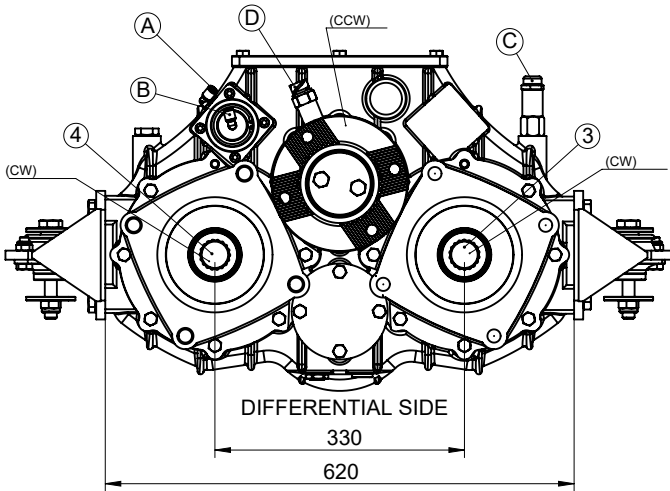
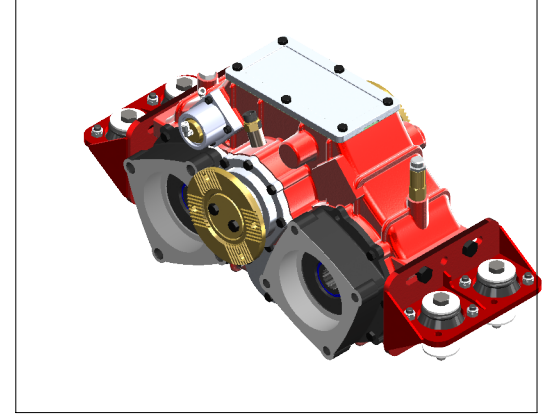
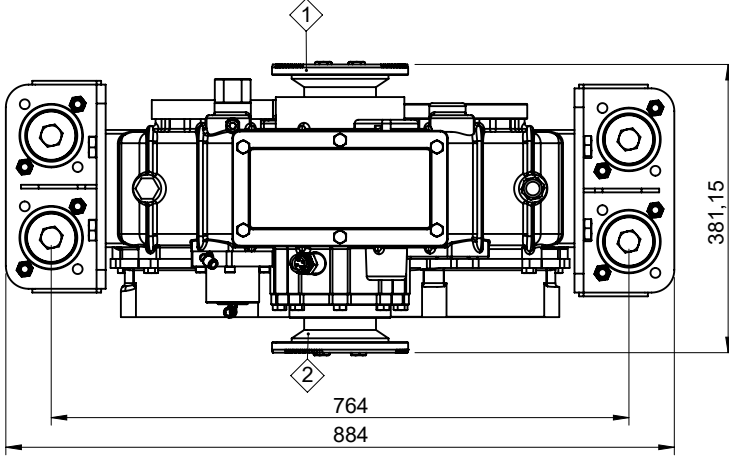


Vehicle Type	FOR CONCRETE PUMP VEHICLES
--------------	----------------------------

Product Code	UARA.2401
Revised on:	02 / 10.06.2019



Product View



Options

- 1 : Main Input ISO 7647 - ISO 7646 - ISO 8667 Flange
- 2 : Main Output ISO 7647 - ISO 7646 - ISO 8667 Flange
- 3 : Pump Output (Z:18 DIN 5480)
- 4 : Pump Output (Z:18 DIN 5480)
- 5 : Pump Output (Group 2 or ISO 4 hole)
- 6 : Pump Output (Group 2 or ISO 4 hole)
- A : Air Input (Main drive engaged (side outputs disengaged))

- B: Air Input (Side outputs engaged (main drive disengaged))
- C: Breather plug
- D: Rpm sensor (Optional)
- E: Oil level indicator

Technical Data

Outputs	Max Values	Max RPM	Ratio	Connection Type	Control Type
1 & 2	29430 Nm	-	1/1	SHAFT	PNEUMATIC
3 + 5	125 Kw	2500-3300 rpm	1/1.25 1/1.7	Weight	Rotation
4 + 6	125 Kw	2500-3300 rpm	1/1.25 1/1.7		
				195	-



KOZANOĞLU
KOZMAKSAN

HYDRAULIC PUMPS & POWER TAKE-OFFS MANUFACTURING LIMITED CO.
HİDROLİK POMPA ve ARA ŞANZİMAN PTO İMALAT SAN.LTD.ŞTİ.

Ofis

Tel. +90 312 354 05 39
Fax +90 312 354 34 59
7. Sokak No: 9
Ostim / ANKARA
e-mail: info@kozmaksan.com.tr

Fabrika

Tel. +90 312 267 39 71
Fax +90 312 267 38 72
AOS. 1. OSB. Erkunt Cad. No: 6
Sincan / ANKARA
Website: www.kozmaksan.com.tr